

Designed for Accessibility

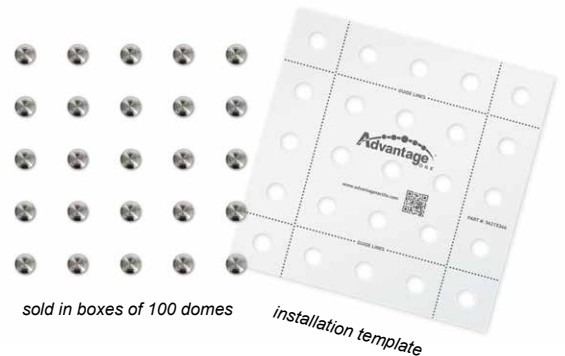
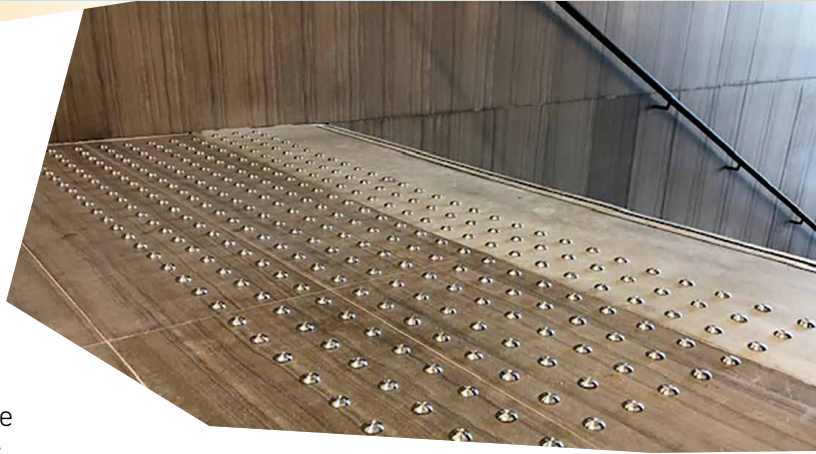
TWSI DOMES

SURFACE APPLIED

Advantage One[®] Surface Applied Tactile Walking Surface Indicators are designed to provide an accessibility solution in many interior applications. In particular, Surface Applied can be used on the floor where TWSI are required; but the floor cannot be drilled into to secure Advantage One TWSI. Advantage One Surface[®] TWSI are stainless steel domes with a rubber base that adheres to the floor with a self-adhering permanent tape. Like anchored Advantage One TWSI, Advantage One Surface Applied are machined from a solid piece of 316L Marine Grade Stainless Steel and are aesthetically pleasing, strong, and durable. They incorporate an integral texture in the stainless steel for permanent slip resistance. Advantage One Surface have undergone a series of rigorous tests to ensure they meet the standards specified in Provincial and National Building Codes. Advantage One[®] Surface Applied is specifically designed for use when drilling holes for the anchored version of Advantage One Domes is inappropriate or impossible. Each 100-dome box comes with a clear plastic template to use when installing in the prescribed dome pattern. Installation requires using a thin blade tool, like a pocketknife, to ensure a clean lift and peel off the tape cover at the base of each dome. Installation on the surface of the floor should occur right after the tape cover is removed to ensure maximum adhesion. The permanent tape adheres well to most floor surfaces: wood, concrete, ceramic tile, stone, and metal. However, the life span of the adhesion will be limited if automatic floor cleaners, blows, or shovels are used on them.

COMPLIANCE

Kinesik Engineered Products Incorporated is in full compliance with Canadian Accessibility Codes. The full product range of Kinesik tactile walking surface indicators meet the most recent AODA, CSA, ISO, provincial and national building codes. Kinesik Engineered Products Incorporated is your one stop source for all tactile systems for internal and external applications. Only Kinesik provides a complete range of products designed for safety, convenience and code compliance.



PRODUCT FEATURES

- 316L, Marine grade stainless steel
- Innovative adhesive capture design
- Optimum anti-slip design
- 5 year manufacturer's warranty

Domes come in the following styles:

PLATE DOMES

- Concentric Rings Pattern
- Crosshatch Pattern
- Carborundum - Non-Slip



Concentric Rings

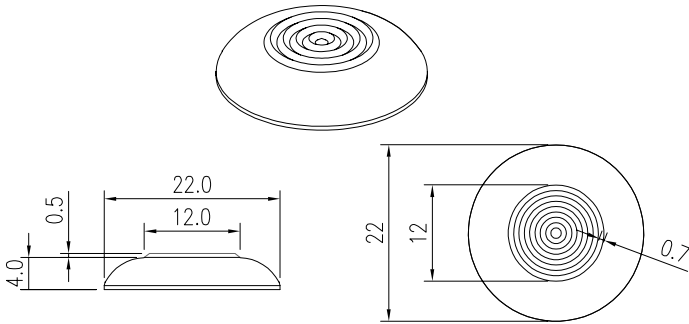


Black Carborundum



Cross Hatch

Tactile Walking Surface Indicator (TWSI) Domes



Advantage® ONE Surface Applied Tactile Walking Surface Indicators (TWSI) products for the following and many more applications:

- Revolving Door Approaches
- Wheelchair Ramps
- Parking Areas
- Top of Stair Landings
- Turnstile and Gate Access
- Escalator Approaches
- Top of Stair Landings

PROFESSIONAL ASSOCIATIONS

Kinesik is proud to be a member of the following organisations



SPECIFICATIONS

Advantage® ONE (TWSI) meets the following ASTM specifications: A182, A193, A276, A313, A314, A320, A479, A493 and A580.

TEST	DESCRIPTION	REQUIREMENTS
ASTM C 1028-96	Static Coefficient of Friction	≥ 0.8 wet/dry
ASTM D 543-95	Chemical Resistance	No effect
ASTM D 2486-00	Abrasive Wear Gardener Tester	No wear
ASTM C 501-84	Abrasive Wear Taber Tester	No wear
AASHTO HB-17	Wheel Load Tests	No effect
ASTM B 117-03	Salt Spray (300 hrs)	No effect

APPLICATIONS

Tactile Attention Indicator Truncated Domes

- Accessibility standards require the use of TWSI at the tops of stairs, at the top and bottom of ramps, and wherever there is an unprotected change in elevation greater than 250mm or a slope ratio greater than 1:3 (33%).

ADVANTAGE ONE - INDIVIDUAL DOMES

DOMES DIA.	PRODUCT CODE	CENTRE DOME PATTERN	MATERIAL
22	ADV-D-1281-N-SA	Concentric Rings	Stainless Steel 316L
22	ADV-D-2281-N-SA	Cross Hatch	Stainless Steel 316L
22	ADV-D-5281-N-SA	Black Carborundum	Stainless Steel 316L

